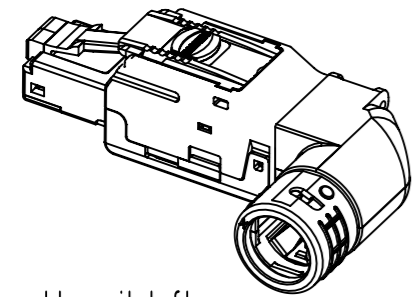
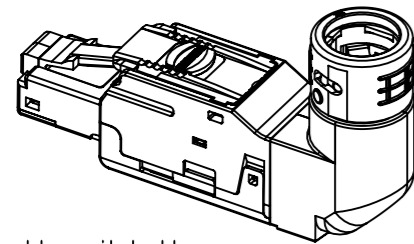


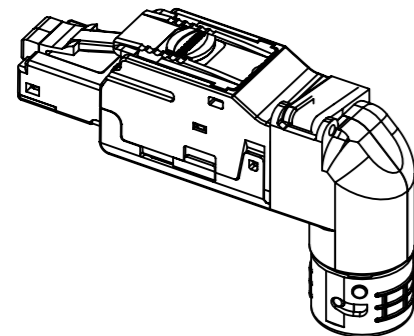
cable exit right



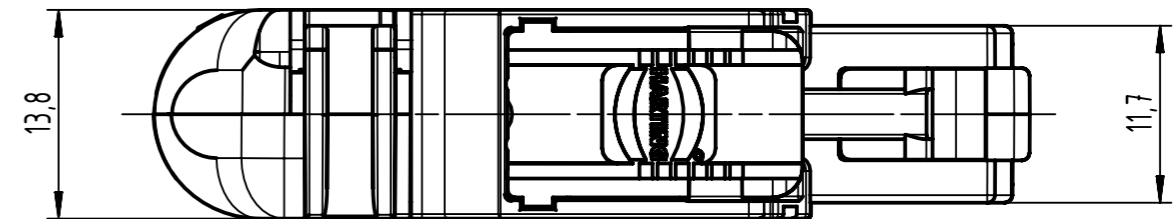
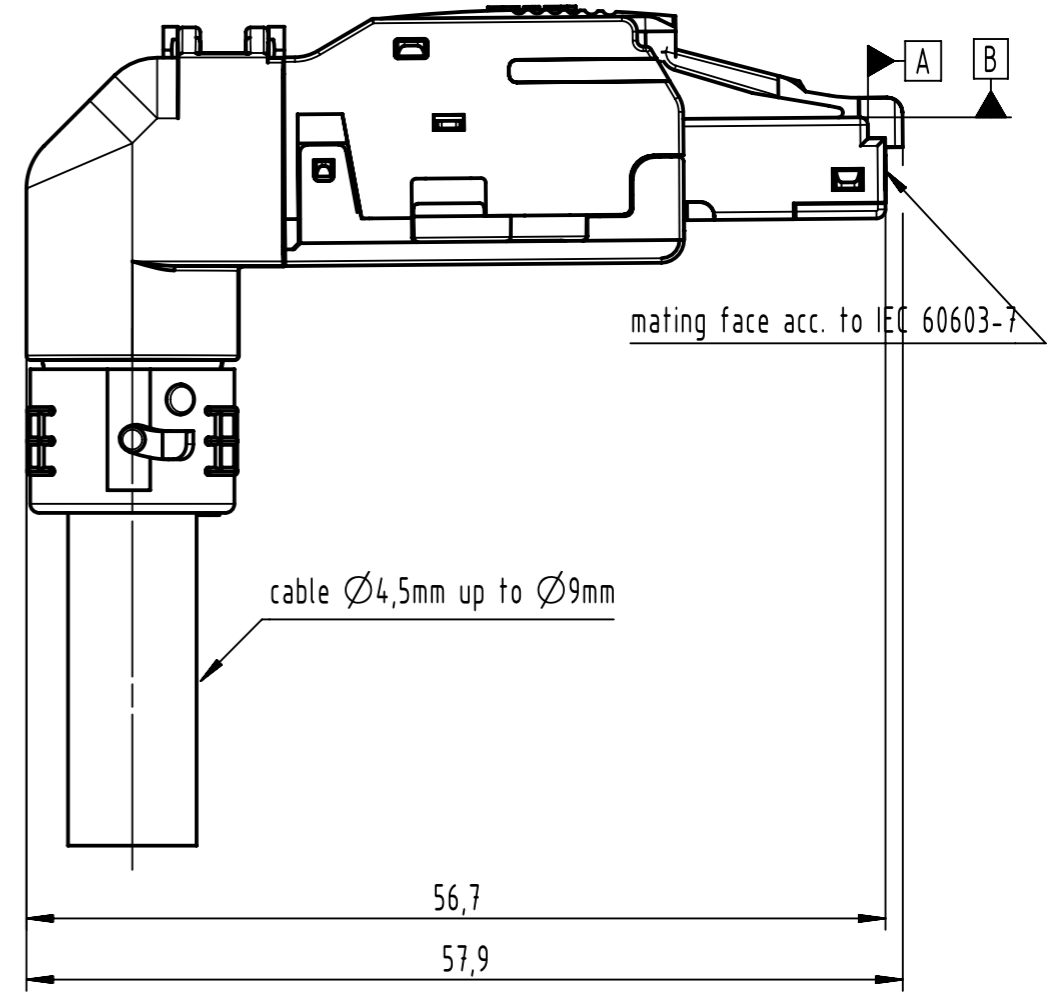
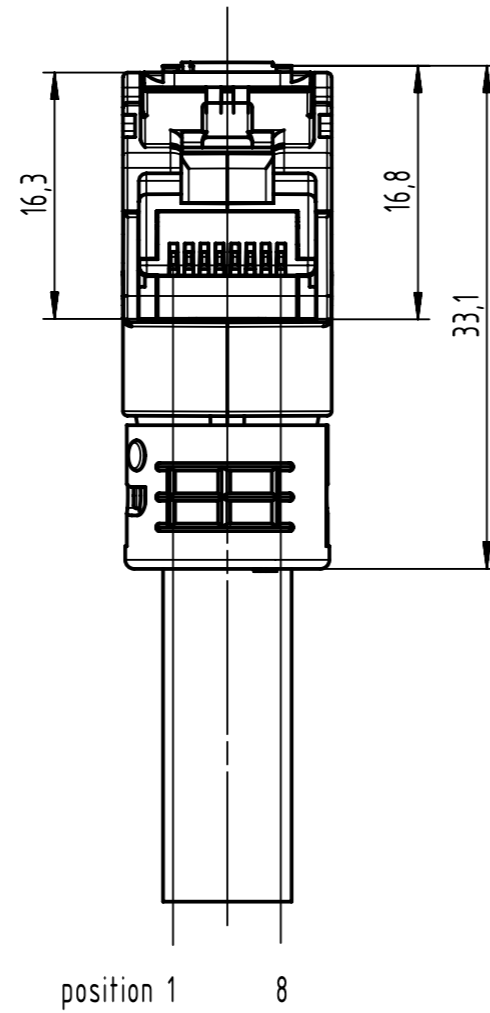
cable exit left



cable exit bottom



cable exit top



data contact plating: Au 1,27µm(50pin) over nickel

	All rights reserved Department EL PD	All Dimensions in mm Original Size DIN A3		Scale 2:1	Free size tol.	Ref. Sub.
		Created by 406403	Inspected by PREOTU	Standardisation ROEBEN	Date 2023-06-15	State Final Release
HARTING D-32339 Espelkamp		Title RJ45 MF RJ45 plug Cat6A, 8p IDC angled			Doc-Key / ECM-Nr. 100820387/UGD/000/E 50000244.772	
		Type TB	Number 09451511571		Rev. E	Page 1/1